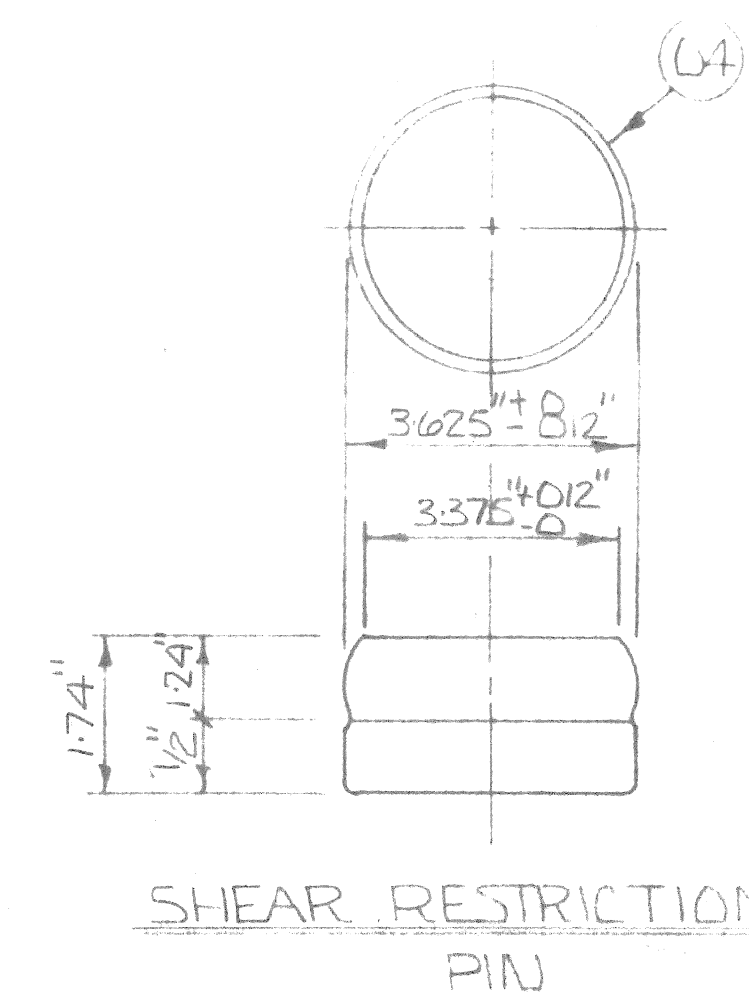
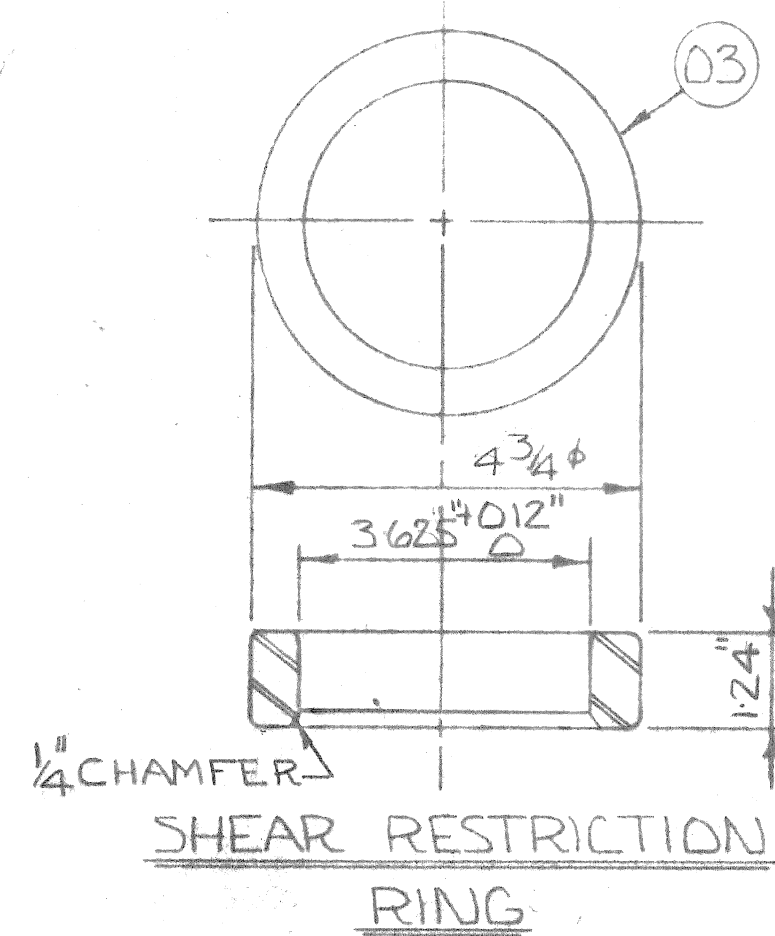
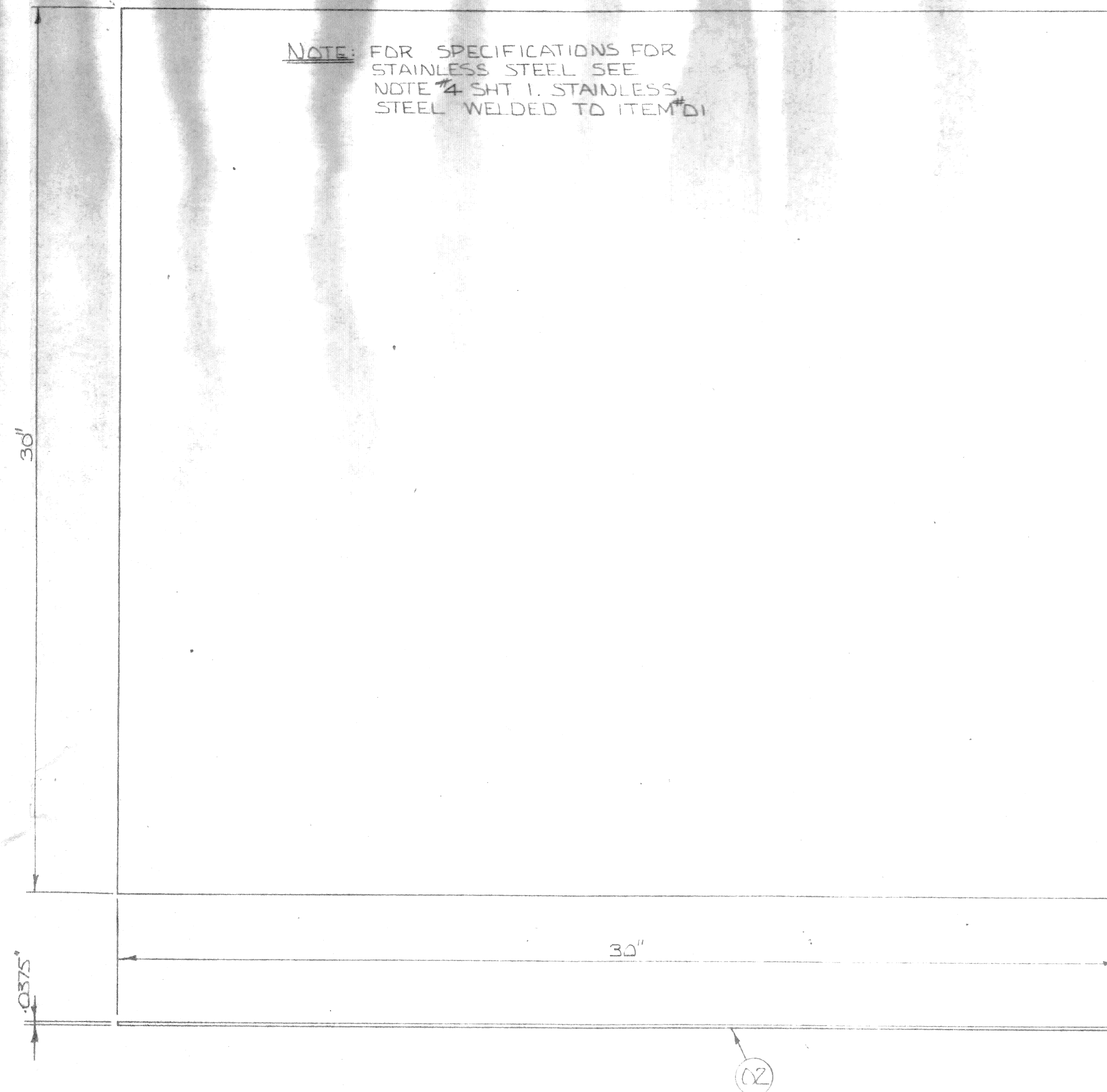


NOTE: FOR SPECIFICATIONS FOR STAINLESS STEEL SEE NOTE 4 SHT 1. STAINLESS STEEL WELDED TO ITEM 01



FIELD, GROWTH & PARTNERS LIMITED
 REVIEWED ONLY
 MATERIAL MUST MEET REQUIREMENTS OF SPECIFICATIONS AND DRAWING. ACCEPTANCE OF DIMENSIONS AND OTHER GENERAL CONSTRUCTION FEATURES NOT IMPLIED.
 CORRECTIONS ARE REQUIRED WHERE NOTED IN RED
 Project: *Oronoke St Bridge*
 Proj. No. 2277 Slc. *Plan* Date FEB 17 1978

- NOTE - INFORMATION AND KNOWHOW ON THIS DRAWING IS THE PROPERTY OF ELASTOMETAL LIMITED USE OR REPRODUCTIONS OF THIS DRAWING IS PROHIBITED WITHOUT WRITTEN PERMISSION	DWG. NO.: E-670-1
	PROJECT: OSBORNE ST. BRIDGE
	ELASTOMETAL LIMITED
	DRAWN BY: EVAN TAYLOR PROJECT # 62-71 DATE: JAN 19 1978 CHECKED BY: SHEET 2 OF 3 SCALE: NTS. WABD-FIVE MULTIDIRECTIONAL 400 TON BRG